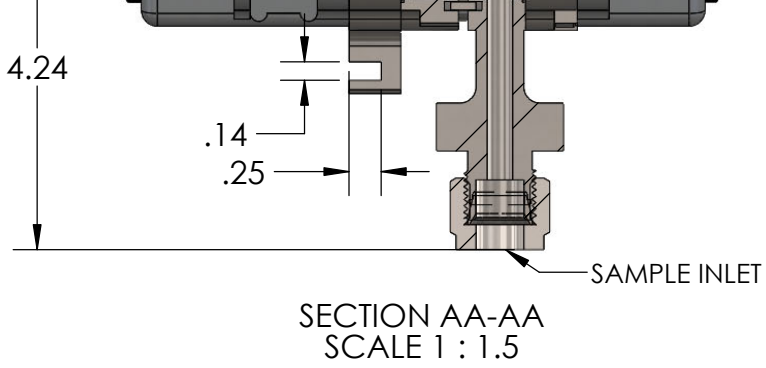
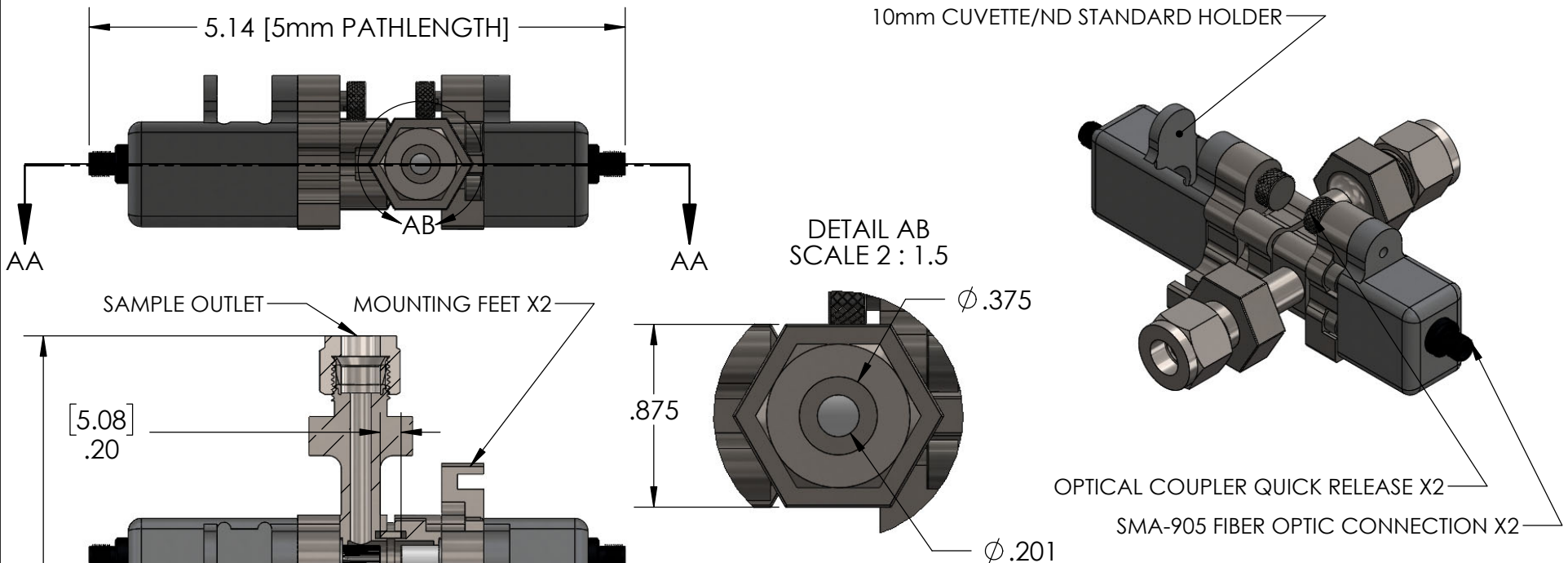



3/8" EZ-CAL FLOW CELL
PART NUMBER: 7002-AB-CDE-FGH

A = BODY MATERIAL: [0] 316SS [1] TITANIUM [2] HASTELLOY C 276 [3] MONEL [4] OTHER
B = OPTICAL COUPLER: [0] NO STANDARD HOLDER [1] INC. STANDARD HOLDER
C = OIC LENS: [0] FUSED SILICA [1] SAPPHIRE [2] BK7
D = OIC WINDOW: [0] FUSED SILICA [1] SAPPHIRE
E = OIC SEAL: [0] VITON [1] KALREZ [2] CHEMRAZ [3] OTHER (SPECIFY)
FGH = PATHLENGTH: (mm)

STANDARD SPECIFICATIONS:
 [PN: 7002-00-000-FGH]
 PATHLENGTH: 1-100 mm (FACTORY SET)
 WAVELENGTH RANGE: UV-NIR [220-2400 nm]
 FIBER TERMINATIONS: SMA-905
 MAX TEMPERATURE: 204C (400F)
 MAX PRESSURE: 2000PSI



| | | |
|---|--|--------------|
| UNLESS OTHERWISE SPECIFIED: DIMENSIONS ARE IN INCHES TOLERANCES ARE: ANGULAR: ± .3 deg. TWO PLACE DECIMAL ± .03 THREE PLACE DECIMAL ± .005 | NAME | DATE |
| | DRAWN | RJN 20200723 |
| | APPROVED | |
| | S.O. | |
| | P.O. | |
| INTERPRET GEOMETRIC TOLERANCING PERASME Y14.5M | PROPRIETARY AND CONFIDENTIAL | |
| MATERIAL | THE INFORMATION CONTAINED IN THIS DRAWING IS THE SOLE PROPERTY OF CST. ANY REPRODUCTION IN PART OR AS A WHOLE WITHOUT THE WRITTEN PERMISSION OF CST IS PROHIBITED. | |
| FINISH | | |
| DO NOT SCALE DRAWING | | |

| | | |
|--|-----------------------------|--------------|
|  CUSTOM SENSORS & TECHNOLOGY A DIVISION OF CUSTOM SAMPLE SYSTEMS INC. 531Axminister Dr. Fenton, MO 63026-2903 (PHONE) 636-305-0666 www.customsensors.com | | |
| TITLE: 3/8" EZ-CAL FLOW CELL 7002 SERIES OVERVIEW | | |
| SIZE A | DWG. NO. 7002-AB-CDE-FGH | REV 1.00 |
| SCALE: 1:2 | WEIGHT: | SHEET 1 OF 1 |