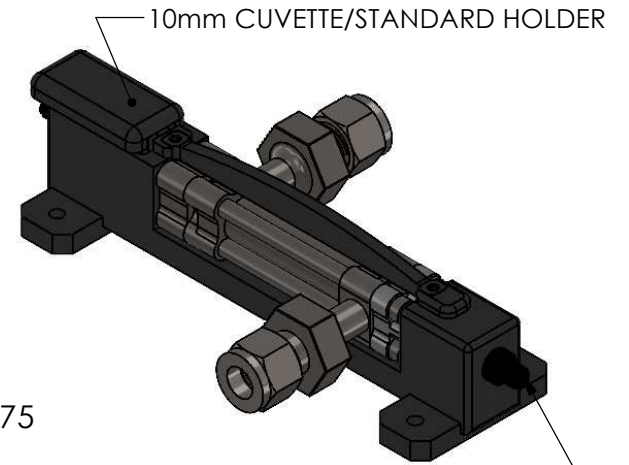
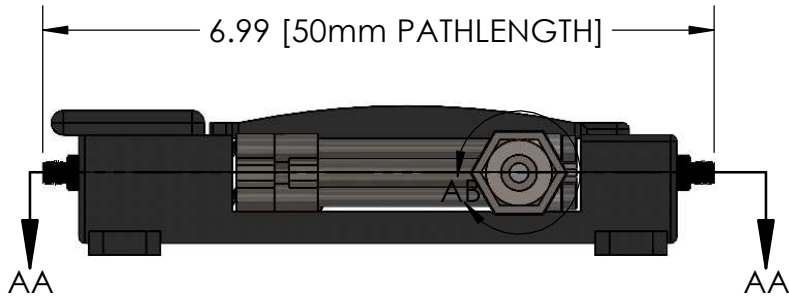


**3/8" EZ-CAL FLOW CELL**  
**PART NUMBER: 7002-AB-CDE-FGH**

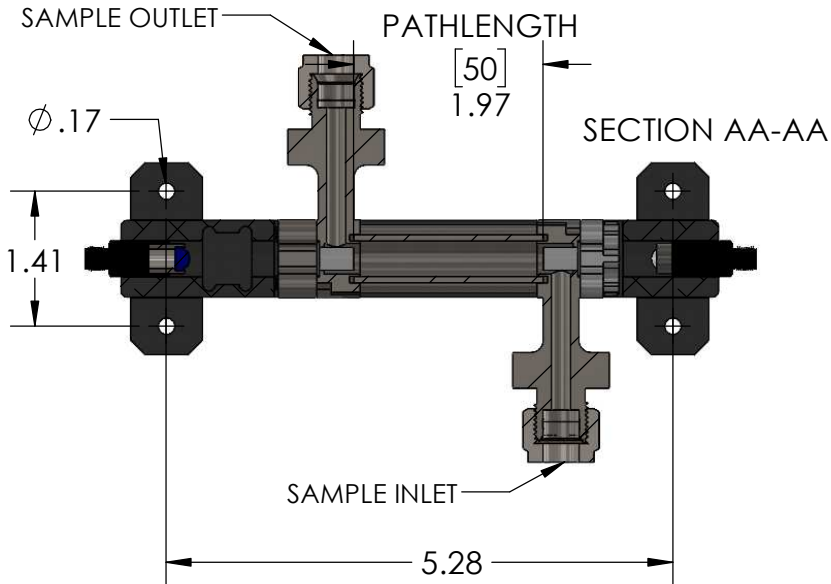
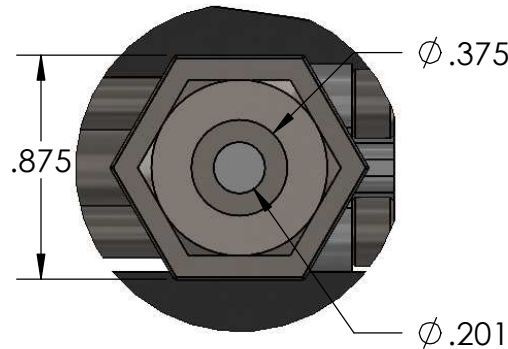
**A = BODY MATERIAL:** [0] 316SS [1] TITANIUM [2] HASTELLOY C 276 [3] MONEL [4] OTHER  
**B = CONNECTION:** [0] 1/2" SANITARY [1] 3/8" COMPRESSION [2] 1/4" VCO  
**C = OIC LENS:** [0] FUSED SILICA [1] SAPPHIRE [2] BK7  
**D = OIC WINDOW:** [0] FUSED SILICA [1] SAPPHIRE  
**E = OIC SEAL:** [0] VITON [1] KALREZ [2] CHEMRAZ [3] OTHER (SPECIFY)  
**FGH = PATHLENGTH:** (0.25 - 50mm)

**STANDARD SPECIFICATIONS:**

[PN: 7002-00-000-FGH]  
 PATHLENGTH: 1, 5, 10, 20 OR 50mm, OTHERS UPON REQUEST  
 WAVELENGTH RANGE: UV-NIR [220-2400 nm]  
 FIBER TERMINATIONS: SMA-905  
 MAX TEMPERATURE: 204C (400F)  
 MAX PRESSURE: 2000PSI  
 CONNECTION: 3/8" COMPRESSION



DETAIL AB  
 SCALE 2 : 1.5



UNLESS OTHERWISE SPECIFIED:  DIMENSIONS ARE IN INCHES TOLERANCES ARE: ANGULAR: ± .3 deg. TWO PLACE DECIMAL ± .03 THREE PLACE DECIMAL ± .005	DRAWN	NAME	DATE
	APPROVED	RJN	20200723
	S.O.		
	P.O.		
INTERPRET GEOMETRIC TOLERANCING PER ASME Y14.5M	<b>PROPRIETARY AND CONFIDENTIAL</b>  THE INFORMATION CONTAINED IN THIS DRAWING IS THE SOLE PROPERTY OF CST. ANY REPRODUCTION IN PART OR AS A WHOLE WITHOUT THE WRITTEN PERMISSION OF CST IS PROHIBITED.		
MATERIAL			
FINISH			
DO NOT SCALE DRAWING			

 CUSTOM SENSORS & TECHNOLOGY  
 A DIVISION OF CUSTOM SAMPLE SYSTEMS INC.  
 531A Axminster Dr. Fenton, MO 63026-2903  
 (PHONE) 636-305-0666 www.customsensors.com

TITLE: <b>3/8" EZ-CAL FLOW CELL 7002 SERIES OVERVIEW</b>		
SIZE <b>A</b>	DWG. NO. <b>7002-AB-CDE-FGH</b>	REV <b>1.00</b>
SCALE: 1:2	WEIGHT:	SHEET 1 OF 1