

1/2" SANITARY CROSS FLOW CELL WITH 3/8" OPTICAL INTERFACE COUPLERS

PART NUMBER: 3006-AB-CDE

A = BODY MATERIAL: [0] 316SS [1] TITANIUM [2] HASTELLOY C 276 [3] MONEL [4] OTHER

B = PORT CONNECTION: [1] 1/2" SANITARY

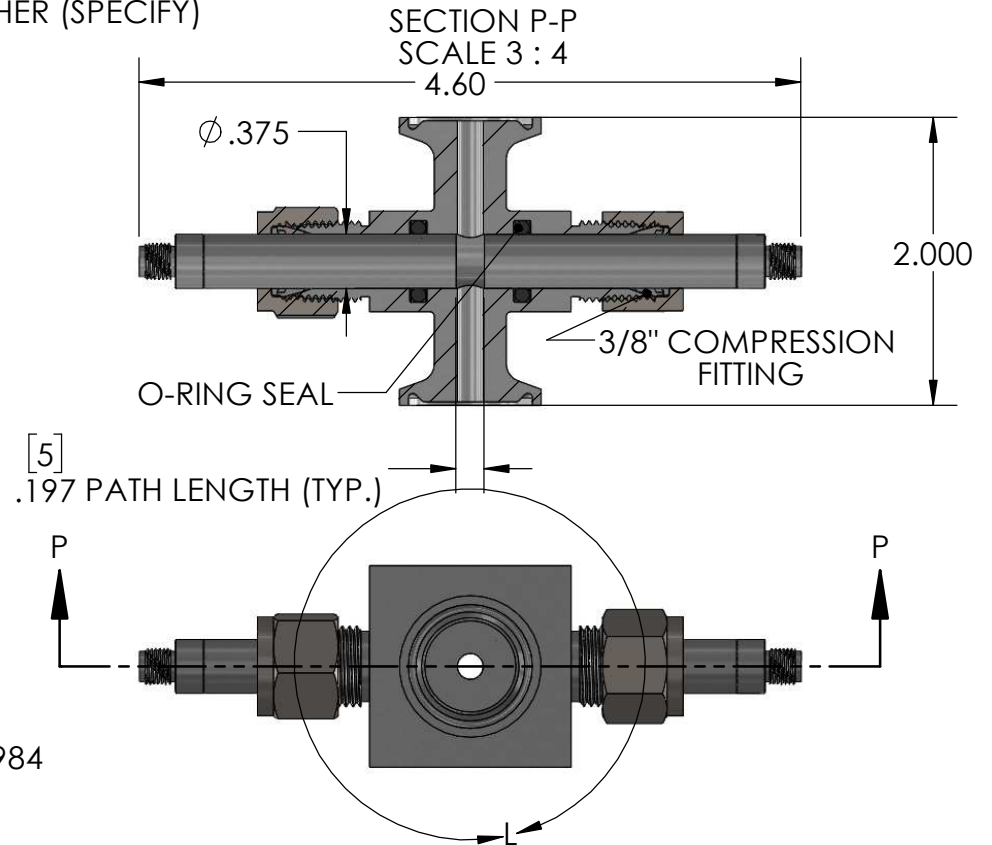
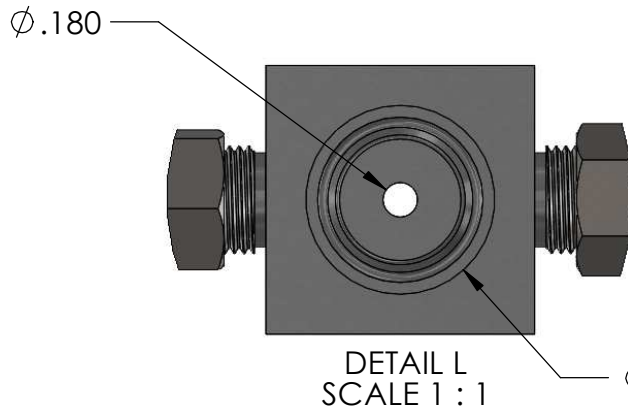
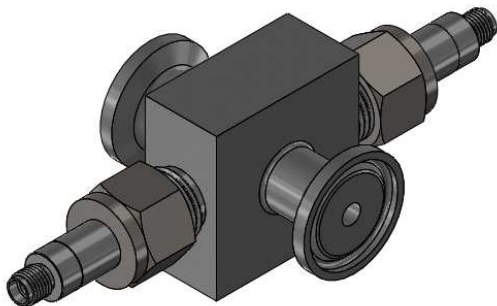
C = OIC LENS: [0] FUSED SILICA [1] SAPPHIRE [2] BK7


D = OIC WINDOW: [0] FUSED SILICA [1] SAPPHIRE

E = SEAL MATERIAL: [0] VITON [1] KALREZ [2] CHEMRAZ [3] OTHER (SPECIFY)

SPECIFICATIONS:

PATHLENGTH: 0.1 - 10.0 mm (ADJUSTABLE)
 WAVELENGTH RANGE: UV-NIR [220-2400 nm]
 FIBER TERMINATIONS: SMA-905
 MAX TEMPERATURE: 204C (400F)
 MAX PRESSURE: 250PSI



UNLESS OTHERWISE SPECIFIED:		NAME	DATE	 CUSTOM SENSORS & TECHNOLOGY A DIVISION OF CUSTOM SAMPLE SYSTEMS INC. 531Axminister Dr. Fenton, MO 63026-2903 (PHONE) 636-305-0666 www.customsensors.com
DIMENSIONS ARE IN INCHES TOLERANCES ARE: ANGULAR: \pm .3 deg. TWO PLACE DECIMAL \pm .03 THREE PLACE DECIMAL \pm .005		DRAWN	RJN	
INTERPRET GEOMETRIC TOLERANCING PERASME Y14.5M		APPROVED		TITLE: 1/2" SANITARY CROSS FLOW CELL 3006 SERIES OVERVIEW
MATERIAL		S.O.		
FINISH		P.O.		SIZE A DWG. NO. 3006-A1-CDE REV 1.00
DO NOT SCALE DRAWING		PROPRIETARY AND CONFIDENTIAL THE INFORMATION CONTAINED IN THIS DRAWING IS THE SOLE PROPERTY OF CST. ANY REPRODUCTION IN PART OR AS A WHOLE WITHOUT THE WRITTEN PERMISSION OF CST IS PROHIBITED.		SCALE: 1:2 WEIGHT: SHEET 1 OF 1