

1" SANITARY CROSS FLOW CELL WITH 3/8" OPTICAL INTERFACE COUPLERS

PART NUMBER: 3006-AB-CDE

A = BODY MATERIAL: [0] 316SS [1] TITANIUM [2] HASTELLOY C 276 [3] MONEL [4] OTHER

B = PORT CONNECTION: [0] 1" SANITARY

C = OIC LENS: [0] FUSED SILICA [1] SAPPHIRE [2] BK7

D = OIC WINDOW: [0] FUSED SILICA [1] SAPPHIRE

E = SEAL MATERIAL: [0] VITON [1] KALREZ [2] CHEMRAZ [3] OTHER (SPECIFY)

SPECIFICATIONS:

PATHLENGTH: 0.1 - 25.0 mm (ADJUSTABLE)
 WAVELENGTH RANGE: UV-NIR [220-2400 nm]
 FIBER TERMINATIONS: SMA-905
 MAX TEMPERATURE: 204C (400F)
 MAX PRESSURE: 250PSI

3/8" COMPRESSION FITTING

[5]
 .197 PATH LENGTH (TYP.)

SECTION P-P
 SCALE 3 : 4

4.60

2.000

Ø.375

O-RING SEAL

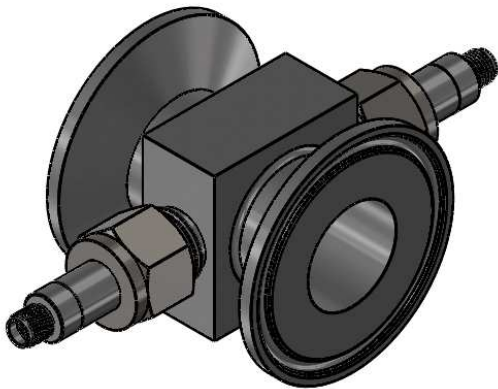
Ø.870

DETAIL L
 SCALE 1 : 1

Ø 1.984

P

P



UNLESS OTHERWISE SPECIFIED:

DIMENSIONS ARE IN INCHES
 TOLERANCES ARE:
 ANGULAR: ± .3 deg.
 TWO PLACE DECIMAL ± .03
 THREE PLACE DECIMAL ± .005

INTERPRET GEOMETRIC TOLERANCING PERASME Y14.5M

MATERIAL

FINISH

DO NOT SCALE DRAWING

NAME DATE

DRAWN RJN 20190128

APPROVED

S.O.

P.O.

PROPRIETARY AND CONFIDENTIAL

THE INFORMATION CONTAINED IN THIS DRAWING IS THE SOLE PROPERTY OF CST. ANY REPRODUCTION IN PART OR AS A WHOLE WITHOUT THE WRITTEN PERMISSION OF CST IS PROHIBITED.



CUSTOM SENSORS & TECHNOLOGY
 A DIVISION OF CUSTOM SAMPLE SYSTEMS INC.
 531 Axminister Dr. Fenton, MO 63026-2903
 (PHONE) 636-305-0666 www.customsensors.com

TITLE:
 1" SANITARY CROSS FLOW CELL
 3006 SERIES OVERVIEW

SIZE	DWG. NO.	REV
A	3006-A0-CDE	1.00

SCALE: 1:2	WEIGHT:	SHEET 1 OF 1
------------	---------	--------------