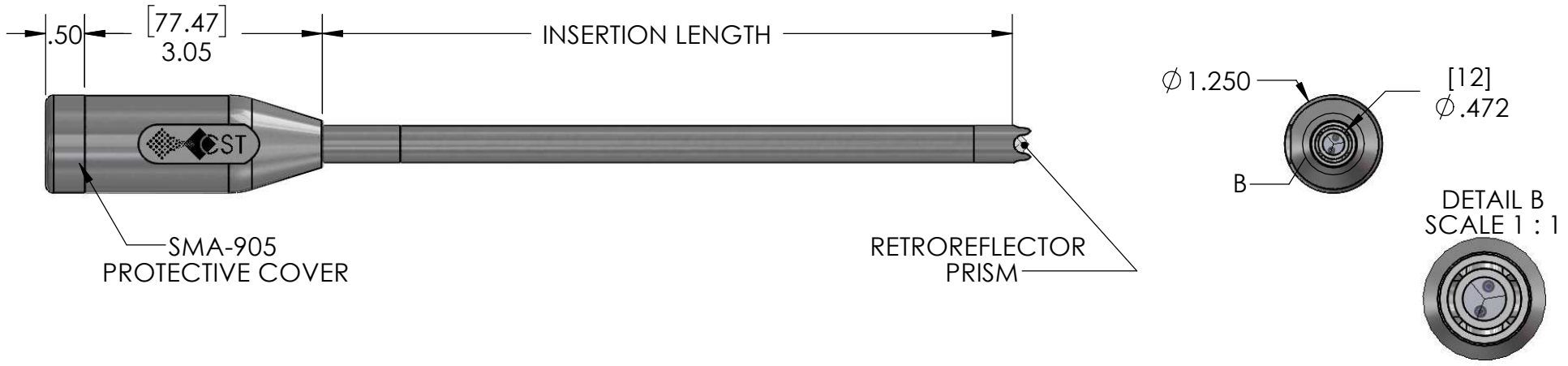
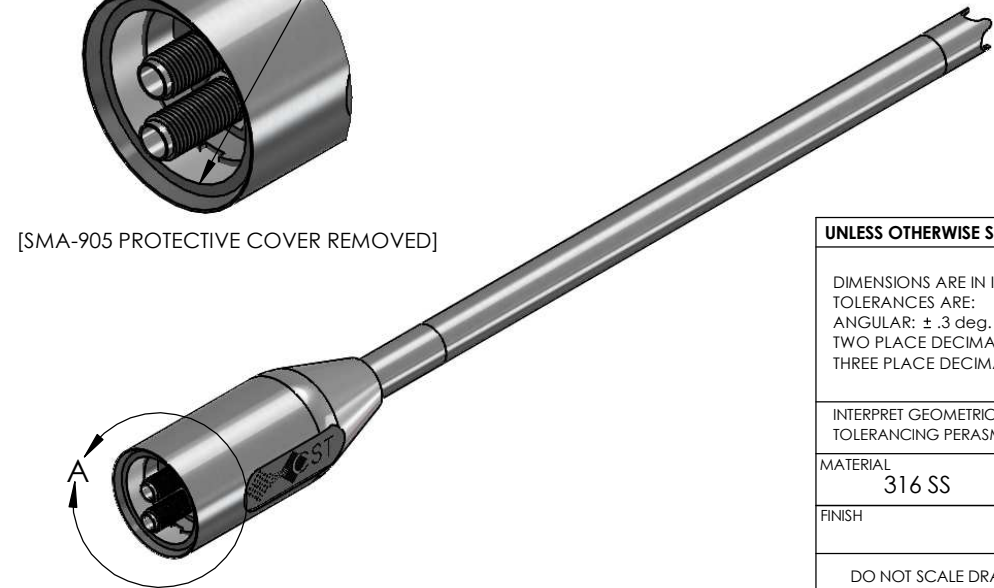


**12 mm ATTENUATED TOTAL REFLECTANCE [ATR] PROBE**  
**PART NUMBER: 3103-ABC-DEF-GH**

**A = BODY MATERIAL:** [0] 316SS [1] TITANIUM [2] HASTELLOY C 276 [3] MONEL [4] OTHER  
**B = FINISH:** [0] NONE [3] ELECTROPOLISH [5] SANITARY (ELECTROPOLISH WITH ORBITAL WELDS AND FDA CLASS VI EPOXY FILL)  
**C = SEAL MATERIAL:** [0] VITON [1] KALREZ [2] CHEMRAZ [3] FDA CLASS VI EPOXY [4] OTHER (SPECIFY)  
**DEF = INSERTION LENGTH:** (mm) STANDARD INSERTION LENGTH = 225mm  
**G = INTERNAL OPTICS:** [0] FUSED SILICA (220-1200nm) [2] BK7 (400-2400nm)  
**H = CRYSTAL:** [0] SAPPHIRE




[SMA-905 PROTECTIVE COVER REMOVED]



**STANDARD SPECIFICATIONS:**

PROBE DIAMETER: 12mm  
 PROBE LENGTH: 225mm  
 EFFECTIVE PATHLENGTH: 0.0013mm  
 WAVELENGTH RANGE: DEFINED BY INTERNAL OPTICS  
 FIBER TERMINATIONS: SMA-905  
 MAX TEMPERATURE: 204C (400F)  
 MAX PRESSURE: 2000PSI  
 RECOMMENDED FIBER JUMPER CORE DIAMETER: 600um

<b>UNLESS OTHERWISE SPECIFIED:</b>		NAME	DATE	 CUSTOM SENSORS & TECHNOLOGY A DIVISION OF CUSTOM SAMPLE SYSTEMS INC. 531Axminister Dr. Fenton, MO 63026-2903 (PHONE) 636-305-0666 www.customsensors.com
DIMENSIONS ARE IN INCHES TOLERANCES ARE: ANGULAR: ± .3 deg. TWO PLACE DECIMAL ± .03 THREE PLACE DECIMAL ± .005		DRAWN	RJN	
INTERPRET GEOMETRIC TOLERANCING PERASME Y14.5M		APPROVED		
MATERIAL 316 SS		S.O.		
FINISH		P.O.		
DO NOT SCALE DRAWING		<b>PROPRIETARY AND CONFIDENTIAL</b>  THE INFORMATION CONTAINED IN THIS DRAWING IS THE SOLE PROPERTY OF CST. ANY REPRODUCTION IN PART OR AS A WHOLEWITHOUT THE WRITTEN PERMISSION OF CST IS PROHIBITED.		TITLE:  ATR PROBE 3103 SERIES
SIZE <b>A</b>	DWG. NO. 3103-ABC-DEF-GH	REV 1.00		
SCALE: 1:5		WEIGHT:		SHEET 1 OF 1