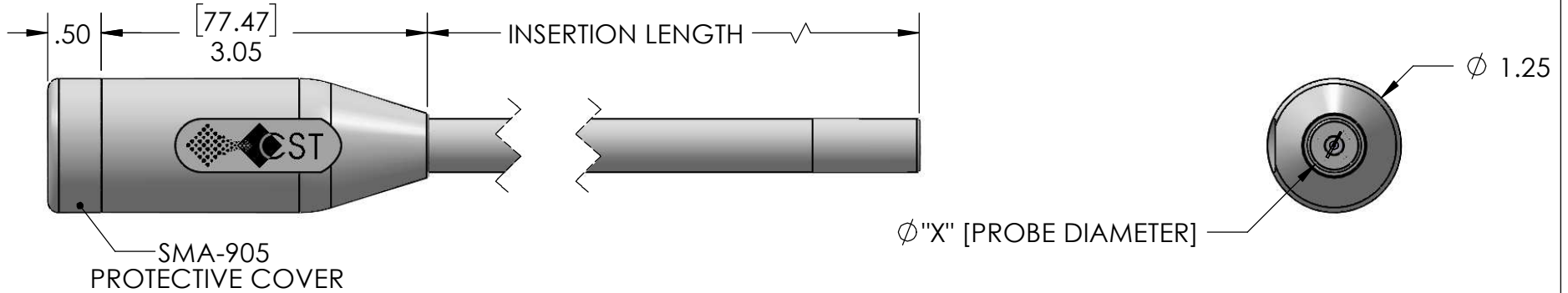


**FRONT SURFACE FLUORESCENCE PROBE**  
**PART NUMBER: 348X-ABC-DEF-GHI**

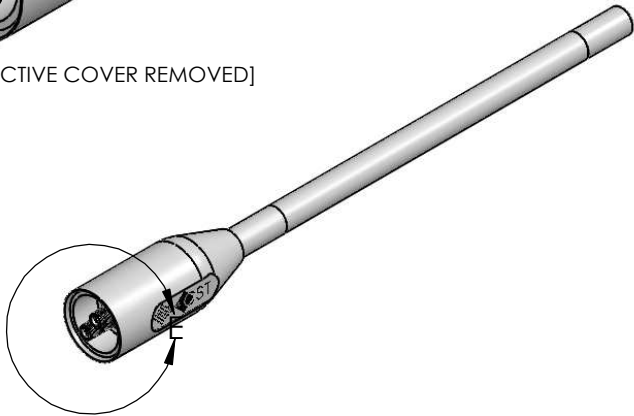
**X = PROBE DIAMETER:** [0] 1/2" [4] 12mm  
**A = BODY MATERIAL:** [0] 316SS [1] TITANIUM [2] HASTELLOY C 276 [3] MONEL [4] OTHER  
**B = FINISH:** [0] NONE [3] ELECTROPOLISH [5] SANITARY (ELECTROPOLISH WITH ORBITAL WELDS AND FDA CLASS VI EPOXY FILL)  
**C = SEAL MATERIAL:** [0] VITON [1] KALREZ [2] CHEMRAZ [3] FDA CLASS VI EPOXY [4] OTHER (SPECIFY)  
**DEF = INSERTION LENGTH:** (mm) STANDARD INSERTION LENGTH = 225mm  
**G = INTERNAL OPTICS:** [0] FUSED SILICA (220-1200nm) [2] BK7 (400-2400nm)  
**H = WINDOW MATERIAL:** [1] SAPPHIRE  
**I = WINDOW COATING:** [0] NONE




DETAIL E  
 SCALE 2 : 3



[SMA-905 PROTECTIVE COVER REMOVED]



**STANDARD SPECIFICATIONS:**  
 PROBE DIAMETER: 1/2" OR 12mm  
 PROBE LENGTH: 220mm  
 WAVELENGTH RANGE: DEFINED BY INTERNAL OPTICS  
 FIBER TERMINATIONS: SMA-905  
 MAX TEMPERATURE: 204C (400F)  
 MAX PRESSURE: 2000PSI  
 FIBER JUMPER CORE DIAMETER: 600um (RETURN) 1000um (SOURCE)

<b>UNLESS OTHERWISE SPECIFIED:</b>  DIMENSIONS ARE IN INCHES TOLERANCES ARE: ANGULAR: ± .3 deg. TWO PLACE DECIMAL ± .03 THREE PLACE DECIMAL ± .005	DRAWN RJN	NAME RJN	DATE 20191120	 CUSTOM SENSORS & TECHNOLOGY A DIVISION OF CUSTOM SAMPLE SYSTEMS INC. 531Axminister Dr. Fenton, MO 63026-2903 (PHONE) 636-305-0666 www.customsensors.com
	APPROVED			
	S.O.			
	P.O.			
INTERPRET GEOMETRIC TOLERANCING PERASME Y14.5M	<b>PROPRIETARY AND CONFIDENTIAL</b>  THE INFORMATION CONTAINED IN THIS DRAWING IS THE SOLE PROPERTY OF CST. ANY REPRODUCTION IN PART OR AS A WHOLEWITHOUT THE WRITTEN PERMISSION OF CST IS PROHIBITED.			TITLE: FRONT SURFACE FLUORESCENCE PROBE 348X SERIES
MATERIAL	SIZE <b>A</b>	DWG. NO. 348X-ABC-DEF-GHI	REV 1.10	
FINISH	SCALE: 1:4		WEIGHT:	SHEET 1 OF 1
DO NOT SCALE DRAWING				