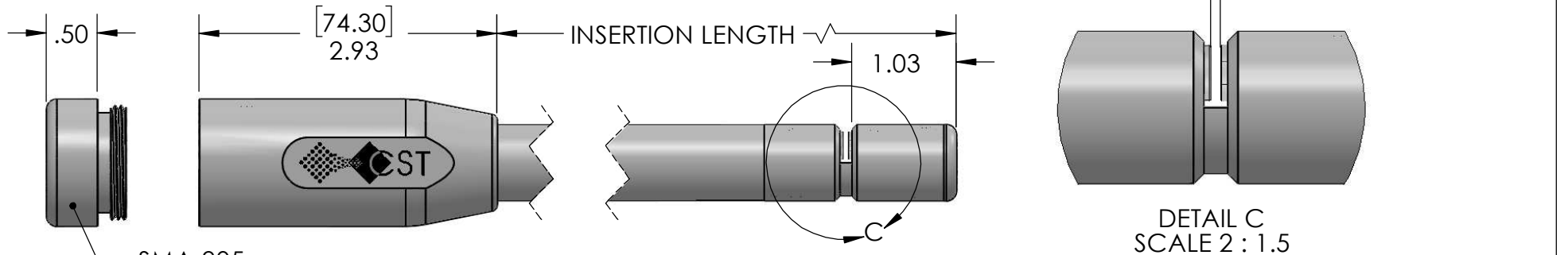


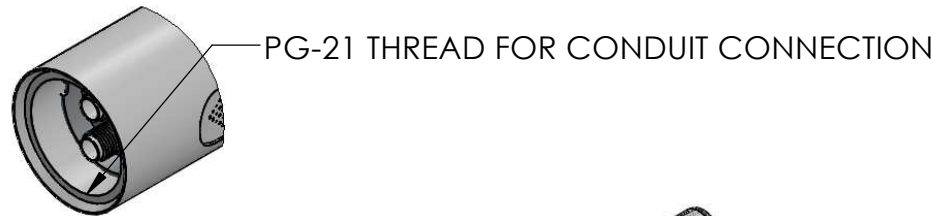
3/4" SINGLE PASS TRANSMISSION PROBE
PART NUMBER: 3201-ABC-DEF-GHI-JK

A = BODY MATERIAL: [0] 316SS [1] TITANIUM [2] HASTELLOY C 276 [3] MONEL [4] OTHER
B = FINISH: [0] NONE [3] ELECTROPOLISH [5] SANITARY (ELECTROPOLISH WITH ORBITAL WELDS AND FDA CLASS VI EPOXY FILL)
C = SEAL MATERIAL: [0] VITON [1] KALREZ [2] CHEMRAZ [3] FDA CLASS VI EPOXY [4] OTHER (SPECIFY)
DEF = INSERTION LENGTH: (mm) STANDARD INSERTION LENGTH = 225mm+/-5 mm (DEPENDENT ON PATHLENGTH)
G = INTERNAL OPTICS: [0] FUSED SILICA (220-1200nm) [2] BK7 (400-2400nm)
H = WINDOW MATERIAL: [0] FUSED SILICA [1] SAPPHIRE
I = LENS MATERIAL: [0] FUSED SILICA [2] BK7 [3] B270
JK = PATHLENGTH: 1-20 mm (STANDARD PATHLENGTHS ARE 1,5, AND 10mm)

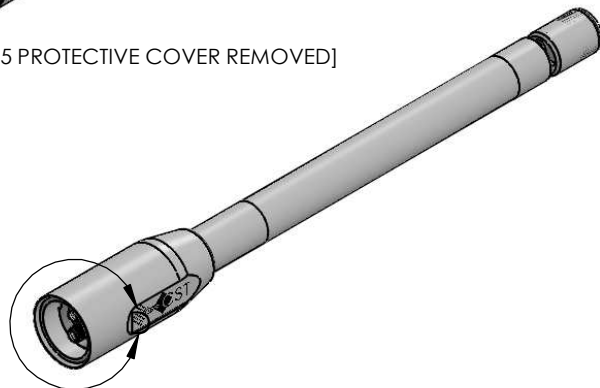


SMA-905 PROTECTIVE COVER

DETAIL D
SCALE 2 : 3




[SMA-905 PROTECTIVE COVER REMOVED]



STANDARD SPECIFICATIONS:

PROBE DIAMETER: 0.75in
 PROBE LENGTH: 220mm (1mm PL) ; 225mm (5mm PL) ; 230mm (10mm PL)
 STANDARD PATHLENGTHS: 1, 5, AND 10 mm
 PATHLENGTH TOLERANCE: +/- 0.1mm OR 5%, WHICHER IS GREATER
 WAVELENGTH RANGE: DEFINED BY INTERNAL OPTICS
 FIBER TERMINATIONS: SMA-905
 MAX TEMPERATURE: 204C (400F)
 MAX PRESSURE: 2000PSI
 RECOMMENDED FIBER JUMPER CORE DIAMETER: 600um

UNLESS OTHERWISE SPECIFIED: DIMENSIONS ARE IN INCHES TOLERANCES ARE: ANGULAR: ± .3 deg. TWO PLACE DECIMAL ± .03 THREE PLACE DECIMAL ± .005	DRAWN RJN	NAME RJN	DATE 20210208	 CUSTOM SENSORS & TECHNOLOGY A DIVISION OF CUSTOM SAMPLE SYSTEMS INC. 531A Axminster Dr. Fenton, MO 63026-2903 (PHONE) 636-305-0666 www.customsensors.com
	APPROVED			
	S.O.			
	P.O.			
INTERPRET GEOMETRIC TOLERANCING PER ASME Y14.5M	PROPRIETARY AND CONFIDENTIAL THE INFORMATION CONTAINED IN THIS DRAWING IS THE SOLE PROPERTY OF CST. ANY REPRODUCTION IN PART OR AS A WHOLE WITHOUT THE WRITTEN PERMISSION OF CST IS PROHIBITED.			TITLE: 3/4" SINGLE PASS TRANSMISSION PROBE 3201 SERIES
MATERIAL	SIZE A	DWG. NO. 3201-ABC-DEF-GHI-JK	REV 1.10	
FINISH	SCALE: 1:4		WEIGHT:	SHEET 1 OF 1
DO NOT SCALE DRAWING				