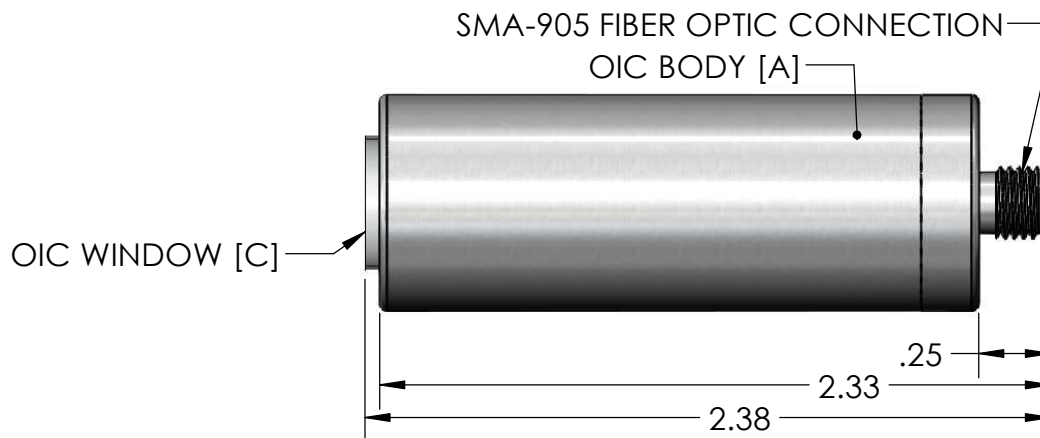
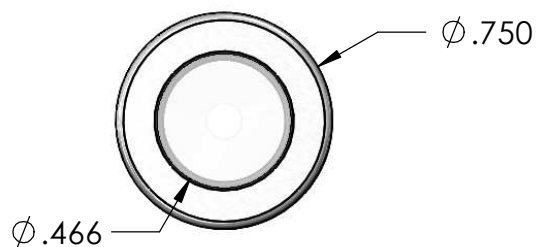
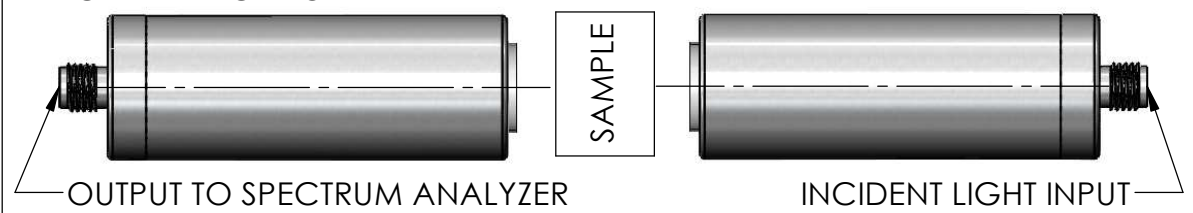


**3/4" OPTICAL INTERFACE COUPLERS**  
**PART NUMBER: 3024-AB-CDE**

- A = BODY MATERIAL:** [0] 316SS [1] TITANIUM [2] HASTELLOY C 276 [3] MONEL [4] OTHER  
**B = PLACE HOLDER:** [0]  
**C = LENS:** [0] FUSED SILICA [1] SAPPHIRE [2] BK7  
**D = WINDOW:** [0] FUSED SILICA [1] SAPPHIRE  
**E = WINDOW SEAL:** [0] VITON [2] KALREZ [3] CHEMRAZ [4] OTHER (SPECIFY)



**TYPICAL APPLICATION**



**STANDARD SPECIFICATIONS:**

PATHLENGTH RANGE: 75 - 500 mm  
 WAVELENGTH RANGE: UV-NIR [220-2400 nm]  
 FIBER TERMINATIONS: SMA-905  
 MAX TEMPERATURE: 204C [400F]  
 MAX PRESSURE: 2000PSI

**UNLESS OTHERWISE SPECIFIED:**

DIMENSIONS ARE IN INCHES  
 TOLERANCES ARE:  
 ANGULAR:  $\pm .3$  deg.  
 TWO PLACE DECIMAL  $\pm .03$   
 THREE PLACE DECIMAL  $\pm .005$

INTERPRET GEOMETRIC TOLERANCING PERASME Y14.5M

MATERIAL

FINISH

DO NOT SCALE DRAWING

NAME DATE

DRAWN RJN 20181108

APPROVED

S.O.

P.O.

**PROPRIETARY AND CONFIDENTIAL**

THE INFORMATION CONTAINED IN THIS DRAWING IS THE SOLE PROPERTY OF CST. ANY REPRODUCTION IN PART OR AS A WHOLE WITHOUT THE WRITTEN PERMISSION OF CST IS PROHIBITED.



CUSTOM SENSORS & TECHNOLOGY  
 A DIVISION OF CUSTOM SAMPLE SYSTEMS INC.  
 531Axminister Dr. Fenton, MO 63026-2903  
 (PHONE) 636-305-0666 www.customsensors.com

TITLE:  
**3/4" OPTICAL INTERFACE COUPLER**  
**3024 SERIES OVERVIEW**

SIZE	DWG. NO.	REV
<b>A</b>	3024-AB-CDE	1.00

SCALE: 1:2	WEIGHT:	SHEET 1 OF 1
------------	---------	--------------