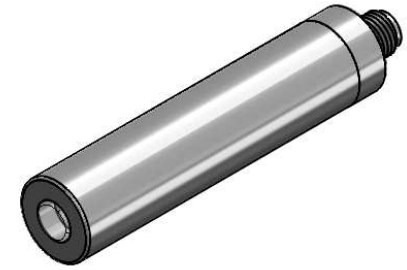
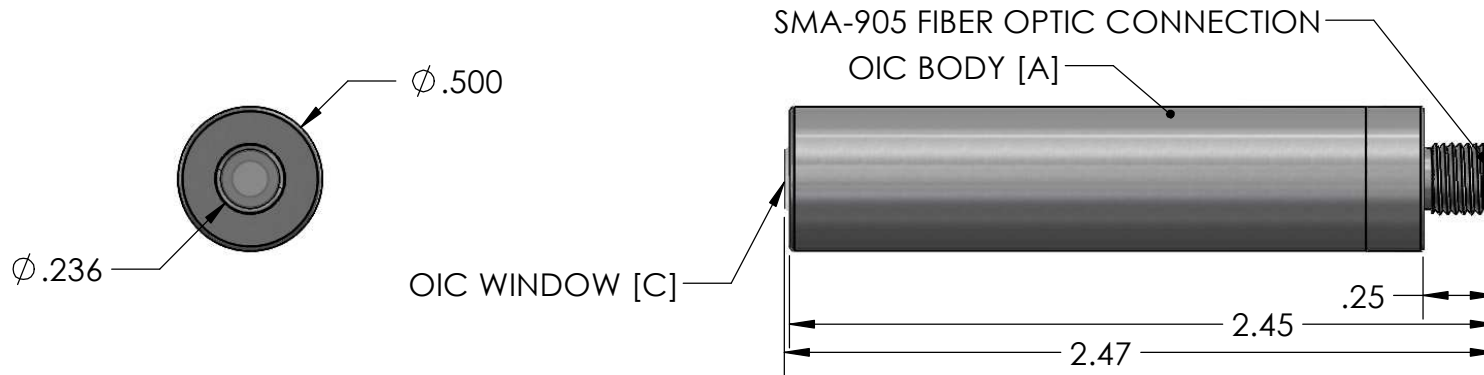
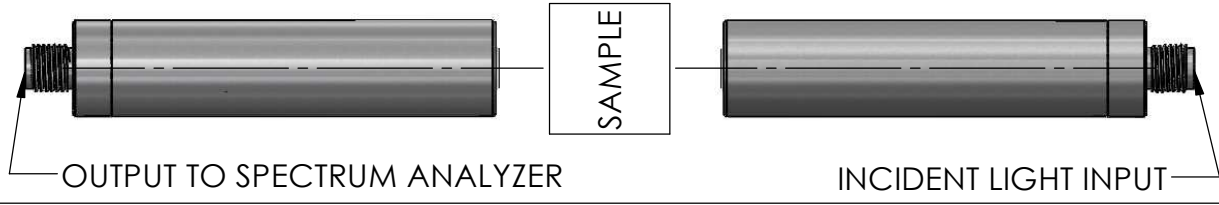


**1/2" OPTICAL INTERFACE COUPLERS**  
**PART NUMBER: 3021-AB-CDE**

- A = BODY MATERIAL:** [0] 316SS [1] TITANIUM [2] HASTELLOY C 276 [3] MONEL [4] OTHER  
**B = PLACE HOLDER:** [0]  
**C = LENS:** [0] FUSED SILICA [1] SAPPHIRE [2] BK7  
**D = WINDOW:** [0] FUSED SILICA [1] SAPPHIRE  
**E = WINDOW SEAL:** [0] VITON [2] KALREZ [3] CHEMRAZ [4] OTHER (SPECIFY)




**TYPICAL APPLICATION**



**STANDARD SPECIFICATIONS:**

PATHLENGTH RANGE: 1 - 200 mm  
 WAVELENGTH RANGE: UV-NIR [220-2400 nm]  
 FIBER TERMINATIONS: SMA-905  
 MAX TEMPERATURE: 204C [400F]  
 MAX PRESSURE: 2000PSI

<b>UNLESS OTHERWISE SPECIFIED:</b>		NAME	DATE	 <b>CUSTOM SENSORS &amp; TECHNOLOGY</b> A DIVISION OF CUSTOM SAMPLE SYSTEMS INC. 531Axminister Dr. Fenton, MO 63026-2903 (PHONE) 636-305-0666 www.customsensors.com
DIMENSIONS ARE IN INCHES TOLERANCES ARE: ANGULAR: $\pm .3$ deg. TWO PLACE DECIMAL $\pm .03$ THREE PLACE DECIMAL $\pm .005$		DRAWN	RJN	
INTERPRET GEOMETRIC TOLERANCING PERASME Y14.5M		APPROVED		
MATERIAL		S.O.		
FINISH		P.O.		
DO NOT SCALE DRAWING		<b>PROPRIETARY AND CONFIDENTIAL</b>		TITLE: 1/2" OPTICAL INTERFACE COUPLER 3021 SERIES OVERVIEW
		THE INFORMATION CONTAINED IN THIS DRAWING IS THE SOLE PROPERTY OF CST. ANY REPRODUCTION IN PART OR AS A WHOLEWITHOUT THE WRITTEN PERMISSION OF CST IS PROHIBITED.		SIZE <b>A</b> DWG. NO. 3021-AB-CDE REV 1.00
		SCALE: 1:2	WEIGHT:	SHEET 1 OF 1