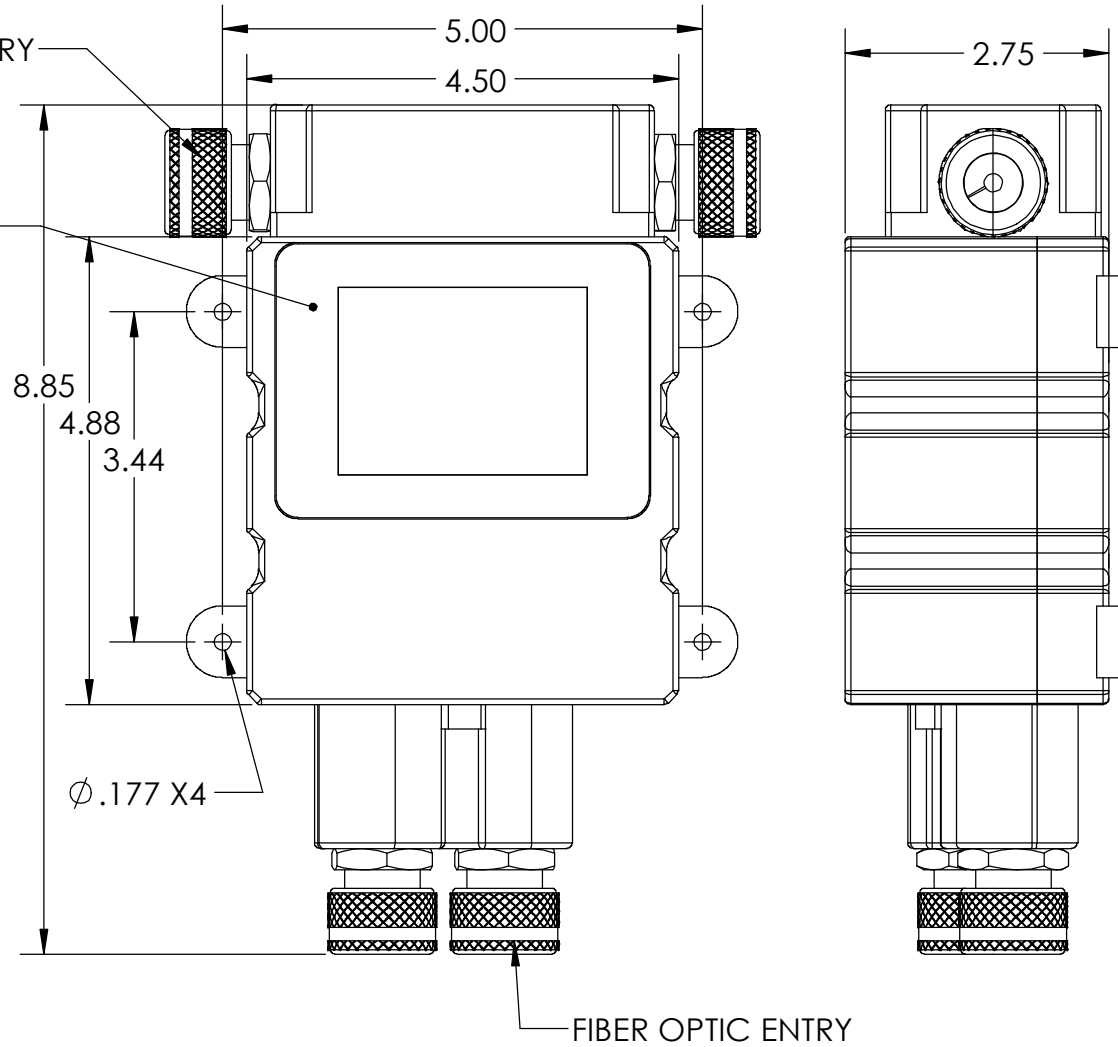



SIGNAL/POWER CABLE ENTRY

TOUCH DISPLAY



FIBER OPTIC ENTRY

UNLESS OTHERWISE SPECIFIED: DIMENSIONS ARE IN INCHES TOLERANCES ARE: ANGULAR: $\pm .3$ deg. TWO PLACE DECIMAL $\pm .03$ THREE PLACE DECIMAL $\pm .005$	NAME	DATE	 CUSTOM SENSORS & TECHNOLOGY A DIVISION OF CUSTOM SAMPLE SYSTEMS INC. 531 Axminister Dr. Fenton, MO 63026-2903 (PHONE) 636-305-0666 www.customsensors.com	
	DRAWN	RJN		20180104
	APPROVED			TITLE: 6400 SERIES PHOTOMETRIC ANALYZER GENERAL ARRANGEMENT
	S.O.			
INTERPRET GEOMETRIC TOLERANCING PER ASME Y14.5M	PROPRIETARY AND CONFIDENTIAL THE INFORMATION CONTAINED IN THIS DRAWING IS THE SOLE PROPERTY OF CST. ANY REPRODUCTION IN PART OR AS A WHOLE WITHOUT THE WRITTEN PERMISSION OF CST IS PROHIBITED.		SIZE DWG. NO. REV A PX2+ 1.00	
MATERIAL ALUMINUM			SCALE: 1:4	
FINISH PEWTER ANODIZED			WEIGHT:	
DO NOT SCALE DRAWING			SHEET 1 OF 1	

5

4

3

2

1