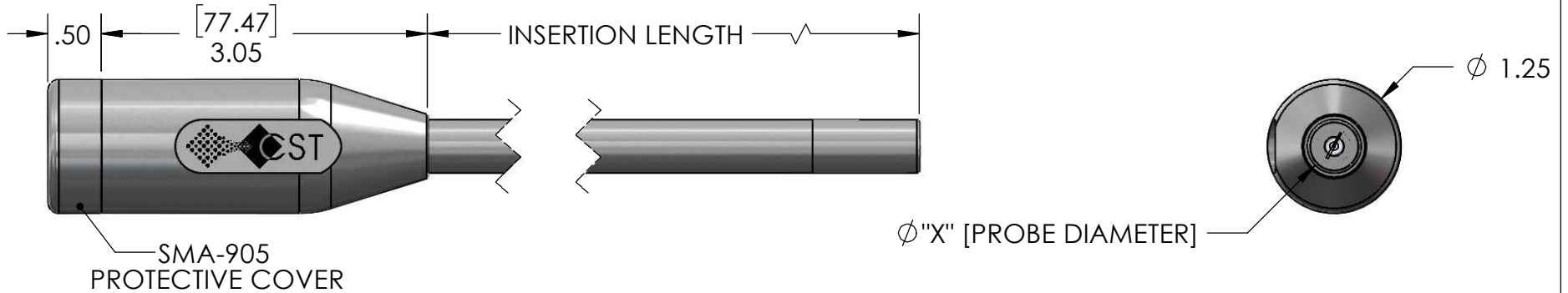


FRONT SURFACE FLUORESCENCE PROBE
PART NUMBER: 348X-ABC-DEF-GHI-JK

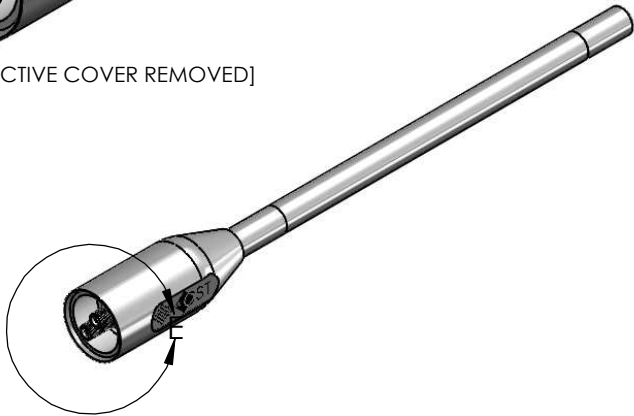
X = PROBE DIAMETER: [0] 1/2" [4] 12mm
A = BODY MATERIAL: [0] 316SS [1] TITANIUM [2] HASTELLOY C 276 [3] MONEL [4] OTHER
B = FINISH: [0] NONE [3] ELECTROPOLISH [5] SANITARY (ELECTROPOLISH WITH ORBITAL WELDS AND FDA CLASS VI EPOXY FILL)
C = SEAL MATERIAL: [0] VITON [1] KALREZ [2] CHEMRAZ [3] FDA CLASS VI EPOXY [4] OTHER (SPECIFY)
DEF = INSERTION LENGTH: (mm) STANDARD INSERTION LENGTH = 225mm
G = INTERNAL OPTICS: [0] FUSED SILICA (220-1200nm) [2] BK7 (400-2400nm)
H = WINDOW MATERIAL: [1] SAPPHIRE
I = WINDOW COATING: [0] NONE



DETAIL E
 SCALE 2 : 3




[SMA-905 PROTECTIVE COVER REMOVED]



STANDARD SPECIFICATIONS:

PROBE DIAMETER: 1/2" OR 12mm
 PROBE LENGTH: 220mm
 WAVELENGTH RANGE: DEFINED BY INTERNAL OPTICS
 FIBER TERMINATIONS: SMA-905
 MAX TEMPERATURE: 204C (400F)
 MAX PRESSURE: 2000PSI
 FIBER JUMPER CORE DIAMETER: 600um (RETURN) 1000um (SOURCE)

UNLESS OTHERWISE SPECIFIED: DIMENSIONS ARE IN INCHES TOLERANCES ARE: ANGULAR: $\pm .3$ deg. TWO PLACE DECIMAL $\pm .03$ THREE PLACE DECIMAL $\pm .005$	NAME	DATE	 CUSTOM SENSORS & TECHNOLOGY A DIVISION OF CUSTOM SAMPLE SYSTEMS INC. 531Axminister Dr. Fenton, MO 63026-2903 (PHONE) 636-305-0666 www.customsensors.com	
	DRAWN	RJN		20161117
	APPROVED			TITLE: FRONT SURFACE FLUORESCENCE PROBE 348X SERIES
	S.O.			
INTERPRET GEOMETRIC TOLERANCING PERASME Y14.5M	PROPRIETARY AND CONFIDENTIAL THE INFORMATION CONTAINED IN THIS DRAWING IS THE SOLE PROPERTY OF CST. ANY REPRODUCTION IN PART OR AS A WHOLE WITHOUT THE WRITTEN PERMISSION OF CST IS PROHIBITED.		SIZE DWG. NO. REV A 348X-ABC-DEF-GHI 1.00	
MATERIAL	DO NOT SCALE DRAWING		SCALE: 1:4 WEIGHT: SHEET 1 OF 1	
FINISH				