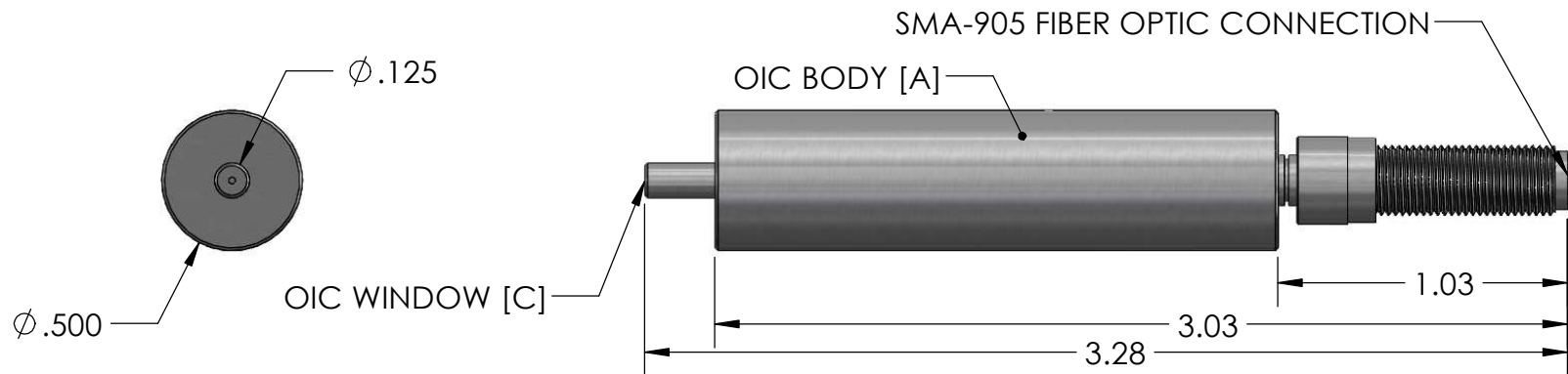
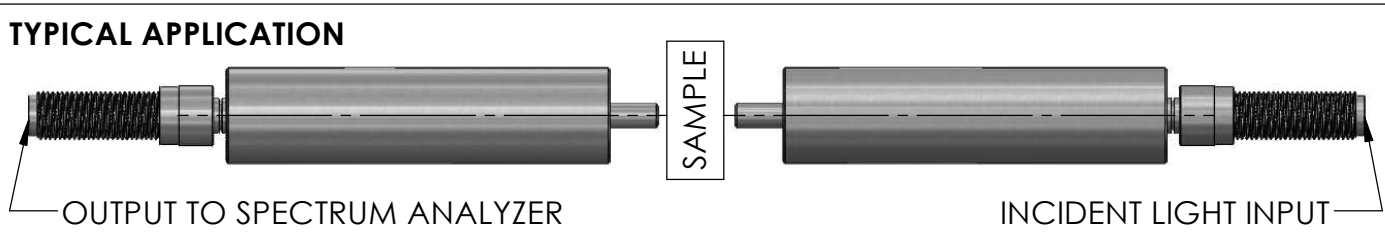


**1/2" MICRO OPTICAL INTERFACE COUPLERS**  
**PART NUMBER: 3050-AB-CDE**

**A = BODY MATERIAL:** [0] 316SS [1] TITANIUM [2] HASTELLOY C 276 [3] MONEL [4] OTHER  
**B = PLACE HOLDER:** [0]  
**C = LENS:** [0] FUSED SILICA  
**D = WINDOW:** [1] SAPPHIRE [5] FUSED SILICA (FIBER ONLY)  
**E = WINDOW SEAL:** [5] FDA APPROVED CLASS VI EPOXY

**TYPICAL APPLICATION**



**STANDARD SPECIFICATIONS:**  
 PATHLENGTH RANGE: 0.02 - 2.00 mm  
 WAVELENGTH RANGE: UV-NIR [220-2400 nm]  
 FIBER TERMINATIONS: SMA-905  
 MAX TEMPERATURE: 204C [400F]  
 MAX PRESSURE: 2000PSI

<b>UNLESS OTHERWISE SPECIFIED:</b>		NAME	DATE
DIMENSIONS ARE IN INCHES TOLERANCES ARE: ANGULAR: ± .3 deg. TWO PLACE DECIMAL ± .03 THREE PLACE DECIMAL ± .005		DRAWN RJN	20181108
INTERPRET GEOMETRIC TOLERANCING PERASME Y14.5M		APPROVED	
MATERIAL		S.O.	
FINISH		P.O.	
DO NOT SCALE DRAWING		<b>PROPRIETARY AND CONFIDENTIAL</b>	
THE INFORMATION CONTAINED IN THIS DRAWING IS THE SOLE PROPERTY OF CST. ANY REPRODUCTION IN PART OR AS A WHOLE WITHOUT THE WRITTEN PERMISSION OF CST IS PROHIBITED.			

 **CUSTOM SENSORS & TECHNOLOGY**  
 A DIVISION OF CUSTOM SAMPLE SYSTEMS INC.  
 531Axminister Dr. Fenton, MO 63026-2903  
 (PHONE) 636-305-0666 www.customsensors.com

<b>TITLE:</b> 1/2" MICRO OPTICAL INTERFACE COUPLER 3050 SERIES OVERVIEW		
<b>SIZE</b> A	<b>DWG. NO.</b> 3050-AB-CDE	<b>REV</b> 1.00
<b>SCALE:</b> 1:2	<b>WEIGHT:</b>	<b>SHEET 1 OF 1</b>