

3/8" LONG PATH LENGTH FLOW CELL WITH 3/8" OPTICAL INTERFACE COUPLERS

PART NUMBER: 3004-AB-CDE-FGH

A = BODY MATERIAL: [0] 316SS [1] TITANIUM [2] HASTELLOY C 276 [3] MONEL [4] OTHER

B = PORT CONNECTION: [3] 3/8" COMPRESSION

C = OIC LENS: [0] FUSED SILICA [1] SAPPHIRE [2] BK7

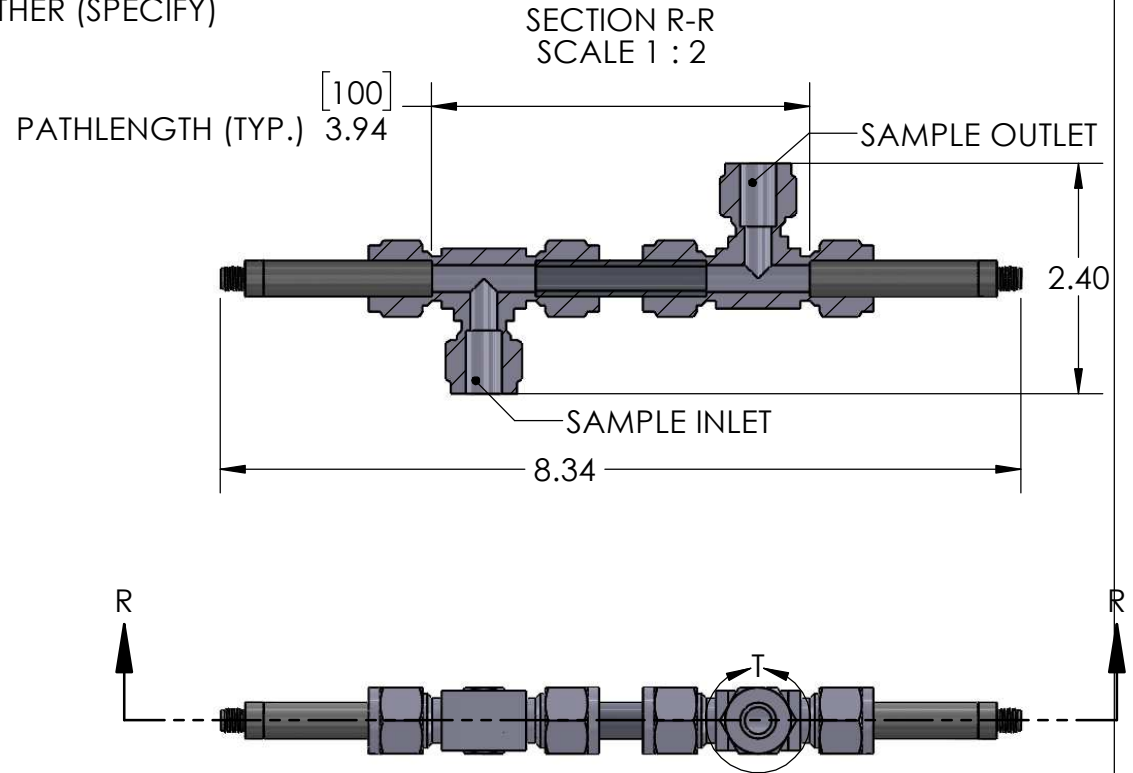
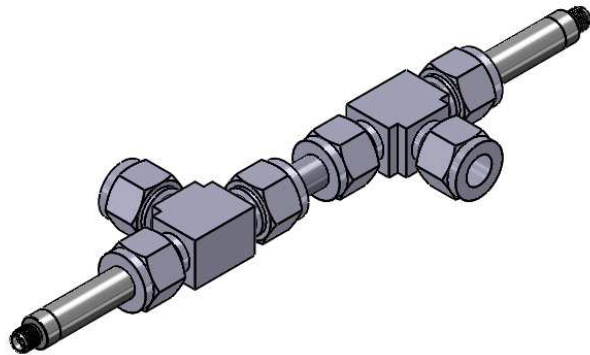
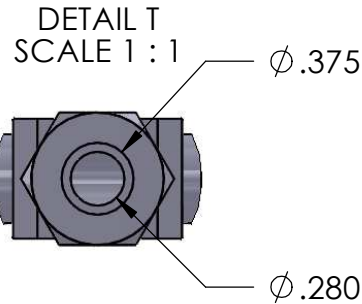
D = OIC WINDOW: [0] FUSED SILICA [1] SAPPHIRE


E = OIC SEAL: [0] VITON [1] KALREZ [2] CHEMRAZ [3] OTHER (SPECIFY)

FGH = PATHLENGTH: (mm)

SPECIFICATIONS:

PATHLENGTH: 65-100 mm (FACTORY SET)
 WAVELENGTH RANGE: UV-NIR [220-2400 nm]
 FIBER TERMINATIONS: SMA-905
 MAX TEMPERATURE: 204C (400F)
 MAX PRESSURE: 2000PSI



UNLESS OTHERWISE SPECIFIED:		NAME	DATE	 CUSTOM SENSORS & TECHNOLOGY A DIVISION OF CUSTOM SAMPLE SYSTEMS INC. 531A xminister Dr. Fenton, MO 63026-2903 (PHONE) 636-305-0666 www.customsensors.com	
DIMENSIONS ARE IN INCHES TOLERANCES ARE: ANGULAR: $\pm .3$ deg. TWO PLACE DECIMAL $\pm .03$ THREE PLACE DECIMAL $\pm .005$		DRAWN	RJN		
INTERPRET GEOMETRIC TOLERANCING PERASME Y14.5M		APPROVED			TITLE: 3/8" LONG PATH LENGTH FLOW CELL 3004 SERIES OVERVIEW
MATERIAL		S.O.			
FINISH		P.O.			SIZE A DWG. NO. 3004-AB-CDE-FGH REV 1.00
DO NOT SCALE DRAWING		PROPRIETARY AND CONFIDENTIAL THE INFORMATION CONTAINED IN THIS DRAWING IS THE SOLE PROPERTY OF CST. ANY REPRODUCTION IN PART OR AS A WHOLE WITHOUT THE WRITTEN PERMISSION OF CST IS PROHIBITED.		SCALE: 1:4	WEIGHT: SHEET 1 OF 1