

# 1/2" LONG PATH LENGTH FLOW CELL WITH 1/2" OPTICAL INTERFACE COUPLERS

PART NUMBER: 3003-AB-CDE-FGH

**A = BODY MATERIAL:** [0] 316SS [1] TITANIUM [2] HASTELLOY C 276 [3] MONEL [4] OTHER

**B = PORT CONNECTION:** [3] 1/2" COMPRESSION

**C = OIC LENS:** [0] FUSED SILICA [1] SAPPHIRE [2] BK7

**D = OIC WINDOW:** [0] FUSED SILICA [1] SAPPHIRE

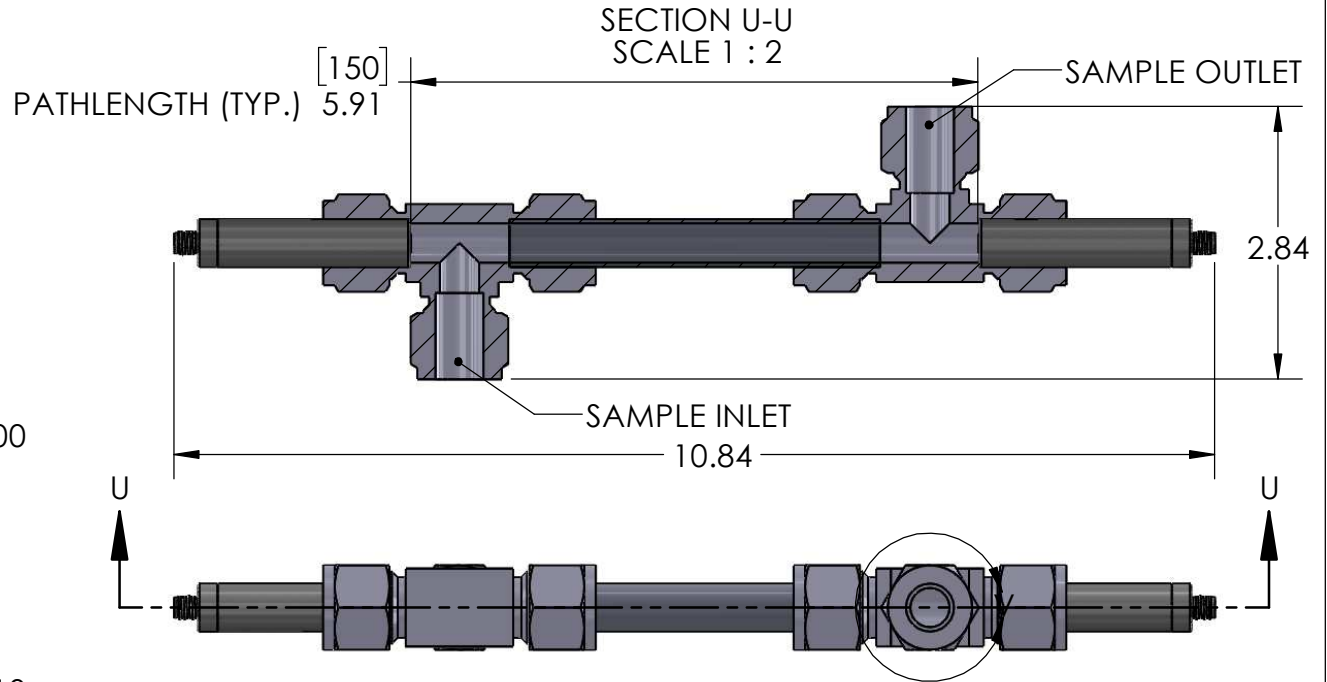
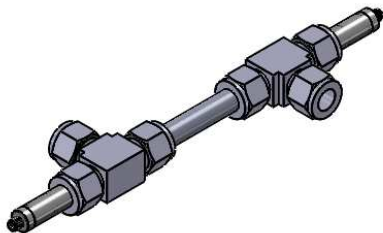
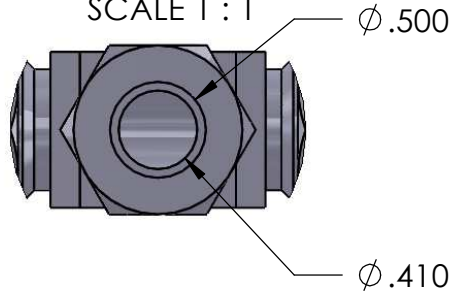
**E = OIC SEAL:** [0] VITON [1] KALREZ [2] CHEMRAZ [3] OTHER (SPECIFY)

**FGH = PATHLENGTH:** (mm)

## SPECIFICATIONS:

PATHLENGTH: 65-100 mm (FACTORY SET)  
 WAVELENGTH RANGE: UV-NIR [220-2400 nm]  
 FIBER TERMINATIONS: SMA-905  
 MAX TEMPERATURE: 204C (400F)  
 MAX PRESSURE: 2000PSI

DETAIL V  
SCALE 1 : 1



### UNLESS OTHERWISE SPECIFIED:

DIMENSIONS ARE IN INCHES  
 TOLERANCES ARE:  
 ANGULAR: ± .3 deg.  
 TWO PLACE DECIMAL ± .03  
 THREE PLACE DECIMAL ± .005

INTERPRET GEOMETRIC  
 TOLERANCING PERASME Y14.5M

MATERIAL

FINISH

DO NOT SCALE DRAWING

NAME	DATE
RJN	20181108
APPROVED	
S.O.	
P.O.	

### PROPRIETARY AND CONFIDENTIAL

THE INFORMATION CONTAINED IN THIS  
 DRAWING IS THE SOLE PROPERTY OF  
 CST. ANY REPRODUCTION IN PART OR  
 AS A WHOLE WITHOUT THE WRITTEN  
 PERMISSION OF CST IS PROHIBITED.

CUSTOM SENSORS & TECHNOLOGY  
 A DIVISION OF CUSTOM SAMPLE SYSTEMS INC.  
 531A xminister Dr. Fenton, MO 63026-2903  
 (PHONE) 636-305-0666 www.customsensors.com

TITLE:  
 1/2" LONG PATH LENGTH FLOW CELL  
 3003 SERIES OVERVIEW

SIZE	DWG. NO.	REV
A	3003-AB-CDE-FGH	1.00

SCALE: 1:4 WEIGHT: SHEET 1 OF 1