

# 3/8" CROSS FLOW CELL WITH 3/8" OPTICAL INTERFACE COUPLERS

PART NUMBER: 3001-AB-CDE

**A = BODY MATERIAL:** [0] 316SS [1] TITANIUM [2] HASTELLOY C 276 [3] MONEL [4] OTHER

**B = PORT CONNECTION:** [2] 3/8" COMPRESSION

**C = OIC LENS:** [0] FUSED SILICA [1] SAPPHIRE [2] BK7

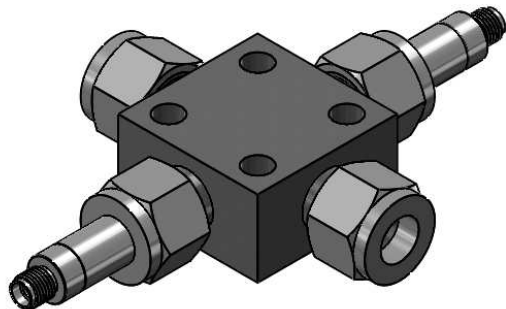
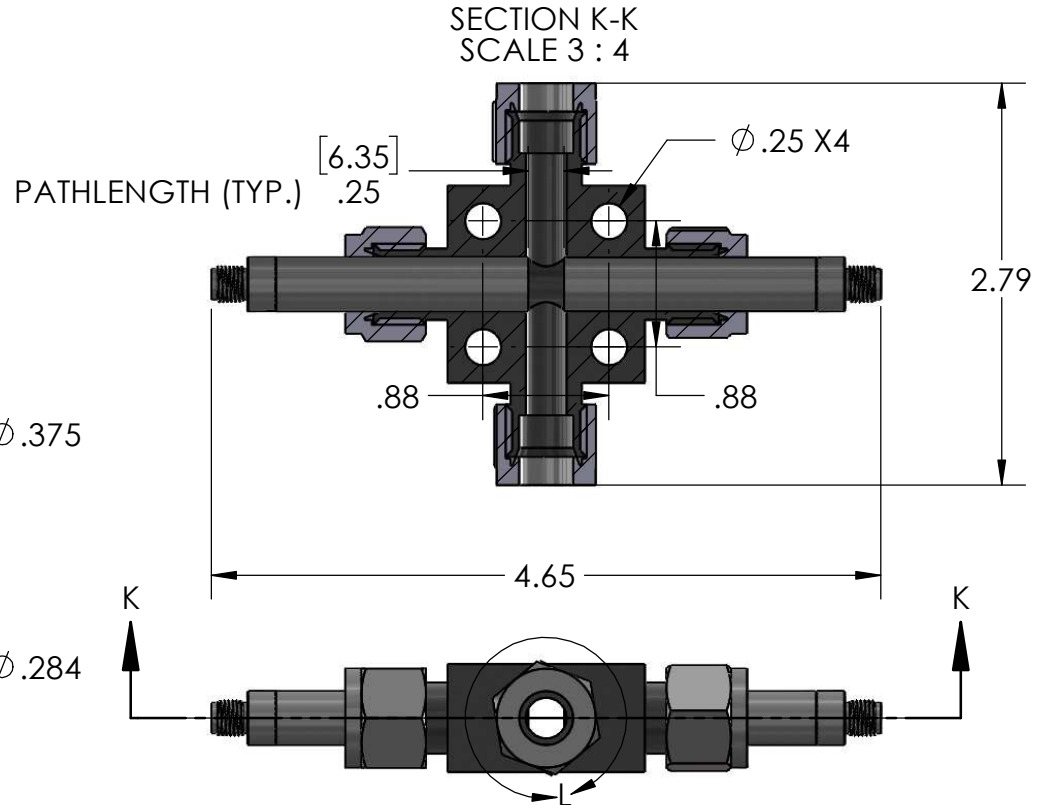
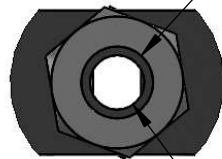
**D = OIC WINDOW:** [0] FUSED SILICA [1] SAPPHIRE


**E = OIC SEAL:** [0] VITON [1] KALREZ [2] CHEMRAZ [3] OTHER (SPECIFY)

### SPECIFICATIONS:

PATHLENGTH: 0.1 - 10.0 mm (ADJUSTABLE)  
 WAVELENGTH RANGE: UV-NIR [220-2400 nm)  
 FIBER TERMINATIONS: SMA-905  
 MAX TEMPERATURE: 204C (400F)  
 MAX PRESSURE: 2000PSI

DETAIL L  
 SCALE 1 : 1



<b>UNLESS OTHERWISE SPECIFIED:</b>		NAME	DATE	 CUSTOM SENSORS & TECHNOLOGY A DIVISION OF CUSTOM SAMPLE SYSTEMS INC. 531A xminister Dr. Fenton, MO 63026-2903 (PHONE) 636-305-0666 www.customsensors.com	
DIMENSIONS ARE IN INCHES TOLERANCES ARE: ANGULAR: ± .3 deg. TWO PLACE DECIMAL ± .03 THREE PLACE DECIMAL ± .005		DRAWN	RJN		
INTERPRET GEOMETRIC TOLERANCING PERASME Y14.5M		APPROVED			TITLE: 3/8" CROSS FLOW CELL 3001 SERIES OVERVIEW
MATERIAL		S.O.			
FINISH		P.O.			SIZE <b>A</b> DWG. NO. 3001-AB-CDE REV 1.00
DO NOT SCALE DRAWING		<b>PROPRIETARY AND CONFIDENTIAL</b> THE INFORMATION CONTAINED IN THIS DRAWING IS THE SOLE PROPERTY OF CST. ANY REPRODUCTION IN PART OR AS A WHOLE WITHOUT THE WRITTEN PERMISSION OF CST IS PROHIBITED.		SCALE: 1:2	WEIGHT: SHEET 1 OF 1